

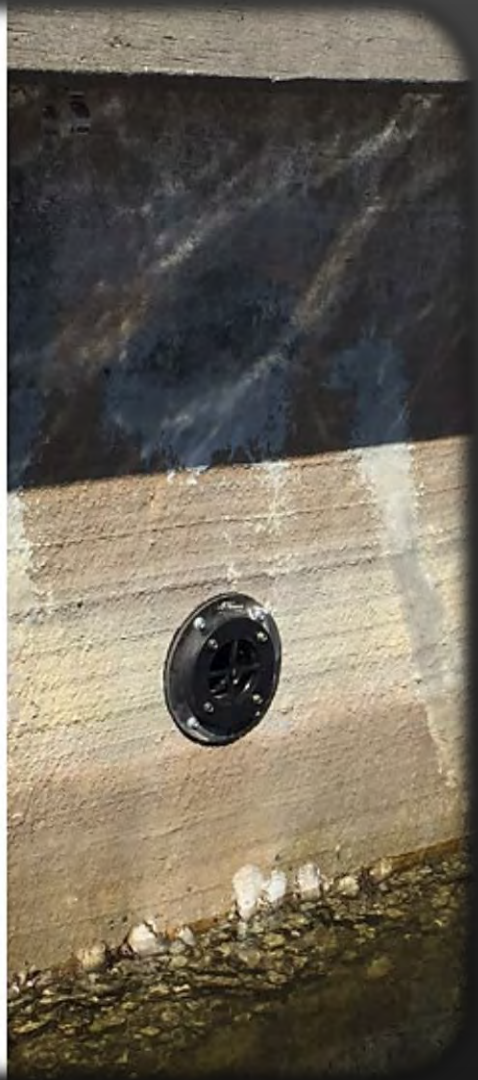
Dewatering Solutions for Earth Retaining Structures



Steel Sheet Piling



Vinyl Sheet Piling



Coastal Seawalls

Geotextile Filtration and Erosion Control



Geotextile Filtration and Erosion Control
www.JETFilterSystem.com
800-475-2029



Saving our **Bridge Infrastructure**
today and tomorrow.

Engineering Solutions

JET FILTER SYSTEM LLC
Dewatering Filtration

jetfiltersystem.com

TABLE OF CONTENTS

- Overview Geotextile Filtration & Erosion Control → Pg 4
- 4" Diameter Open-End/Closed-End → Pg 5
- Product List → Pg 6
- Mirafi Specifications → Pg 7
- Product Use Information → Pg 9
 - Concrete Seawalls → Pg 10
 - Steel Sheet Piling → Pg 11
 - Bridge Abutments → Pg 12
 - Vinyl Sheet Piling → Pg 13
 - Wooden Bulkheads → Pg 14
 - Retaining Walls → Pg 15
 - Aluminum Sheet Piling → Pg 16
 - Composite Sheet Piling → Pg 17
- Engineering Specifications
 - 2.5" ABS → Pg 20
 - 2.5" ASTM A-36 / 316 Stainless Steel → Pg 22
 - 4" ASTM A-36 / 316 Stainless Steel → Pg 24
 - 6" ASTM A-36 / 316 Stainless Steel → Pg 26
 - 4" 316 Stainless Steel Backflow Preventer → Pg 28
- Backflow Preventer One-Way Filter Check Valve → Pg 30
 - Fact Sheet → Pg 31

GEOTEXTILE FILTRATION & EROSION CONTROL

Needs

- A lack of adequate drainage or impermeability of the backfill materials can cause structural failures due to the build-up of excessive hydrostatic (water) pressure. Thus filtration and drainage are critical for Earth Retaining Structures including coastal retaining walls, bridge abutments, wing walls, all types of sheet piles. The vast majority of retaining structure failures occur due to the build-up of excessive hydrostatic (water) pressures caused by either a lack of adequate drainage or impermeability of the backfill materials.
- Ports, Harbors and Marinas experience extreme rising and falling water levels and intense storms that cause groundwater to build up behind the wall. Structures that don't have an adequate drainage system experience increased hydrostatic pressure causing additional stress on the structure.

Benefits

- The Jet Filter System helps prevent erosion and wall failure by facilitating drainage and reducing water pressure while still preventing the loss of soil materials through the weep hole.
- Our filters are maintainable from the wall face with the ability to remove and clean the filter media cartridge when needed to help ensure the life of the wall from movement and/or failure.

Products

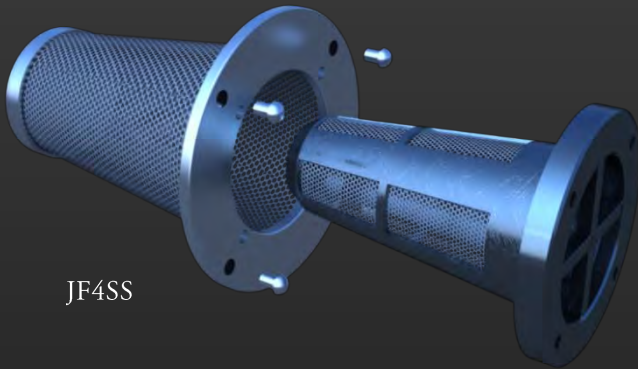
- The JET Filter System is a weep hole component available in 3 different diameters for Open-End filters: 2 ½" in, 4" in & 6 in".
- Our 4" filters can also come as a Closed-End solution with backflow prevention. This is useful along coast lines that experience high tides and storm surges.

Applications

- The flush-mount wick dewatering filter units can be permanently installed on the front side of any earth retaining structures for drainage such as **Bridge Abutment, Wing Wall, Steel Sheet Piling, Vinyl Sheet Piling, Seawalls, MSE Retaining Walls and Flood Control Channels.**

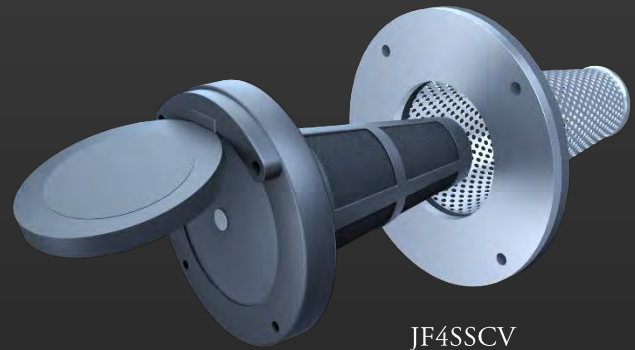
4" dia. SS Weep Hole Component

Open -End



JF4SS

Closed -End



JF4SSCV

FILTER with ONE-WAY CHECK VALVE
Relieve hydrostatic water pressure without allowing water back in

Extend the Life-Span of a Wall Design

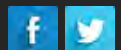
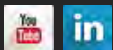
EROSION CONTROL with CLEANABLE, REPLACEABLE
Geotextile filter media cartridge

US PAT# 7,615,148

Dewatering Solutions for Earth Retaining Structures

Made in the USA

- Steel Sheet Piling
- Bridge Abutments
- Concrete Seawalls
- Vinyl Sheet Piling
- MSE Retaining Walls
- Flood Control Channels



PRODUCT PART LIST

JET Filter System LLC
800-475-2029



dia	CODE	DESCRIPTION
2.5"	 JF2.5ABS	2.5" dia. ABS Color Options Gray Slate Clay Brown Complete Assembly
2.5"	 JF2.5PC	2.5" dia. ASTM A-36 Powder Coated Black Complete Assembly
2.5"	 JF2.5SS	2.5" dia. 316 Stainless Steel Complete Assembly
2.5"	 JF2.5FC	2.5" dia. Replacement Filter Cartridge
2.5"	 JF2.5AP	2.5" dia. 6x6 Adapter Plates 304 Stainless Steel ie: Existing 3"dia.
4"	 JF4PC	4" dia. Open-End ASTM A-36 Powder Coated Black Complete Assembly
4"	 JF4SS	4" dia. Open-End 316 Stainless Steel Complete Assembly
4"	 JF4PCCVDC <small>Backflow Preventer</small>	4" dia. Closed-End ASTM A-36 Powder Coated Black Check Valve w/Deflection Cap Complete Assembly
4"	 JF4SSCVDC <small>Backflow Preventer</small>	4" dia. Closed-End 316 Stainless Steel Check Valve w/Deflection Cap Complete Assembly
4"	 JF4PCCVLV <small>Backflow Preventer</small>	4" dia. Closed-End ASTM A-36 Powder Coated Black Check Valve w/Louvered Vent Complete Assembly
4"	 JF4SSCVLV <small>Backflow Preventer</small>	4" dia. Closed-End 316 Stainless Steel Check Valve w/Louvered Vent Complete Assembly
4"	 JF4FC	4" dia. Replacement Filter Cartridge
6"	 JF6PC	6" dia. ASTM A-36 Powder Coated Black Complete Assembly
6"	 JF6SS	6" dia. 316 Stainless Steel Complete Assembly
6"	 JF6FC	6" dia. Replacement Filter Cartridge



Mirafi® FW300

Mirafi® FW300 geotextile is composed of high-tenacity monofilament polypropylene yarns, which are woven into a stable network such that the yarns retain their relative position. Mirafi® FW300 geotextile is inert to biological degradation and resists naturally encountered chemicals, alkalis, and acids.

Mechanical Properties	Test Method	Unit	Minimum Average Roll Value	
			MD	CD
Wide Width Tensile Strength	ASTM D4595	lbs/in (kN/m)	230 (40.3)	225 (39.4)
Grab Tensile Strength	ASTM D4632	lbs (N)	400 (1780.0)	335 (1491)
Grab Tensile Elongation	ASTM D4632	%	20	15
Trapezoid Tear Strength	ASTM D4533	lbs (N)	145 (645)	125(556)
CBR Puncture Strength	ASTM D6241	lbs (N)	1250 (5563)	
Apparent Opening Size (AOS) ¹	ASTM D4751	U.S. Sieve (mm)	30 (0.60)	
Percent Open Area	COE-02215	%	8	
Permittivity	ASTM D4491	sec ⁻¹	1.5	
Permeability	ASTM D4491	cm/sec	0.13	
Flow Rate	ASTM D4491	(gal/min/ft ²) l/min/m ²	115 (4685)	
UV Resistance (at 500 hours)	ASTM D4355	% strength retained	90	

¹ ASTM D4751, AOS is a Maximum Opening Diameter Value

Physical Properties	Test Method	Unit	Typical Value
Mass/Unit Area	ASTM D5261	oz/yd ² (g/m ²)	8.0 (271)
Thickness	ASTM D5199	mils (mm)	35 (0.9)
Roll Dimensions (width x length)	--	ft (m)	12.5 x 300 (3.8 x 91)
Roll Area	--	yd ² (m ²)	417 (348)
Estimated Roll Weight	---	lbs (kg)	221 (100)

Disclaimer: TenCate assumes no liability for the accuracy or completeness of this information or for the ultimate use by the purchaser. TenCate disclaims any and all express, implied, or statutory standards, warranties or guarantees, including without limitation any implied warranty as to merchantability or fitness for a particular purpose or arising from a course of dealing or usage of trade as to any equipment, materials, or information furnished herewith. This document should not be construed as engineering advice.

© 2011 TenCate Geosynthetics North America
Mirafi® is a registered trademark of Nicolon Corporation

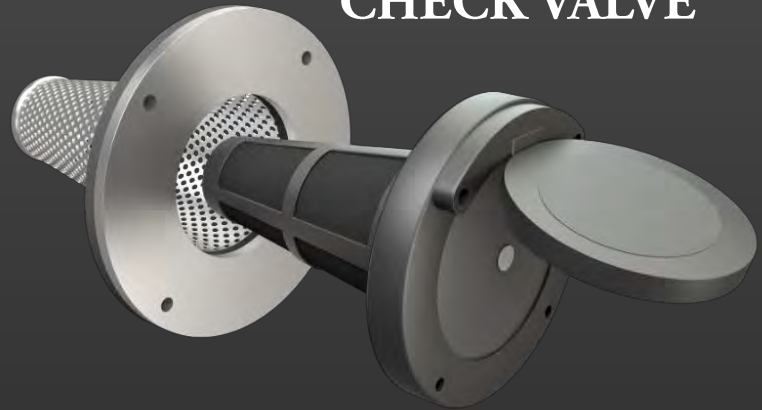


FGS000021
ETQR9



Backflow Preventer ONE-WAY FILTER CHECK VALVE

- Lets Ground Water Out with Erosion Control
- Stops Tidal Wake/Storm Surge Entering
- Cleanable, Replaceable Geotextile Filter Media Cartridge



PROTECT MARINE STRUCTURES

Relieve Hydrostatic Water Pressure With Backflow Prevention

RISING SEA-LEVELS AND HIGHER TIDES INCREASE RISK OF FAILURE

Flood Control Channels



The outlet drains are provided with check valves to prevent the backflow of water from the channels into the drainage system.

Check valve drainage should be used for channels where continuous relief of hydrostatic pressure is important to channel performance and to help ensure no soil loss or panel failure.

Seawalls



With storm tidal or wake action concerns, the weep hole system will facilitate the passing of hydrostatic water pressures (ground water) and stop soil loss from behind the seawall structure.

The backflow preventer check valve will stop the passage of water from entering through the structure from the seaward side.

Outlet Structures



Water control is a major factor with regards to safety and integrity of the structure.

Seepage must be controlled, It can progressively erode soil from the embankment or its foundation, resulting in rapid failure of the structure.

The drainage system is designed to prevent migration of soil particles but still allow the seepage to drain freely.

“As climate changes and sea levels rise, it pushes groundwater up behind sea walls for more and more days per year, thereby increasing hydrostatic pressures that can impact sea walls.”

Dr. Leonard Berry, Co-Founder, Coastal Risk Consulting, LLC, Plantation, FL.

RECOMMENDED APPLICATIONS

Recommended Dewatering Solutions

Extend the Life-Span of a Wall Design

2.5" Diameter Part# JF2.5ABS	UV Acetate
4" Diameter Part# JF4PC Part# JF4SS	Powder Coated Black 316 Stainless Steel
6" Diameter Part# JF6PC Part# JF6SS	Powder Coated Black 316 Stainless Steel
4" Diameter w/Deflection Cap Part# JF4PCVDC Part# JF4SSVDC	Powder Coated Black 316 Stainless Steel
4" Diameter w/Louvered Vent Part# JF4PCVUV Part# JF4SSVUV	Powder Coated Black 316 Stainless Steel

Open-End
Used to relieve hydrostatic water pressure in applications without risk of water reentry.
Maintainable with the ability to remove and clean the filter media cartridge when needed to ensure the life of the wall from movement and/or failure.

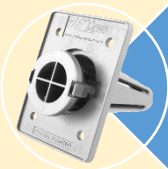
Closed-End
Backflow Preventer - One-Way Filter Check Valve.
Deflection Cap or Louvered Vent let's ground water out and stops tidal wake/storm surge entering.

CONCRETE SEAWALLS

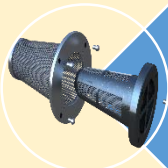


Recommended Dewatering Solutions

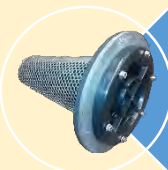
Extend the Life-Span of a Wall Design



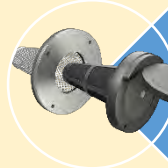
2.5" Diameter
 Part #JF2.5ABS U/V Resistance



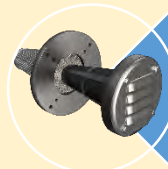
4" Diameter
 Part#JF4PC Powder Coated Black
 Part#JF4SS 316 Stainless Steel



6" Diameter
 Part#JF6PC Powder Coated Black
 Part#JF6SS 316 Stainless Steel



4" Diameter w/Deflection Cap
 Part #JF4PCCVDC Powder Coated Black
 Part#JF4SSCVDC 316 Stainless Steel



4" Diameter w/Louvered Vent
 Part#JF4PCCVLV Powder Coated Black
 Part#JF4SSCVLV 316 Stainless Steel

Open-End
 Used to relieve hydrostatic water pressure in applications without risk of water reentry

Maintainable with the ability to remove and clean the filter media cartridge when needed to help ensure the life of the wall from movement and/or failure

Closed-End
 Backflow Preventer – One-Way Filter Check Valve

Maintainable like the Open-End units Deflection Cap or Louvered Vent

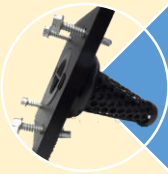
Let's ground water out and stops tidal wake/storm surge entering.

STEEL SHEET PILING

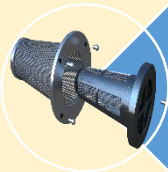


Recommended Dewatering Solutions

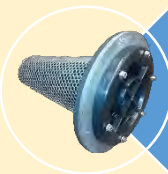
Extend the Life-Span of a Wall Design



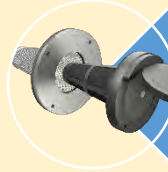
2.5" Diameter
 Part #JF2.5PC Powder Coated Black
 Part#JF2.5SS 316 Stainless Steel



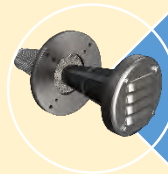
4" Diameter
 Part#JF4PC Powder Coated Black
 Part#JF4SS 316 Stainless Steel



6" Diameter
 Part#JF6PC Powder Coated Black
 Part#JF6SS 316 Stainless Steel



4" Diameter w/Deflection Cap
 Part #JF4PCCVDC Powder Coated Black
 Part#JF4SSCVDC 316 Stainless Steel



4" Diameter w/Louvered Vent
 Part#JF4PCCVLV Powder Coated Black
 Part#JF4SSCVLV 316 Stainless Steel

Open-End
 Used to relieve hydrostatic water pressure in applications without risk of water reentry
 Maintainable with the ability to remove and clean the filter media cartridge when needed to help ensure the life of the wall from movement and/or failure

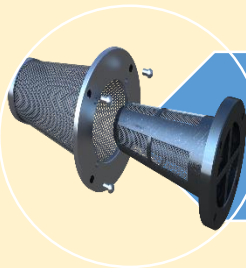
Closed-End
 Backflow Preventer – One-Way Filter Check Valve
 Maintainable like the Open-End units
 Deflection Cap or Louvered Vent
 Let's ground water out stops tidal wake/storm surge entering.

BRIDGE ABUTMENTS



Recommended Dewatering Solutions

Extend the Life-Span of a Wall Design



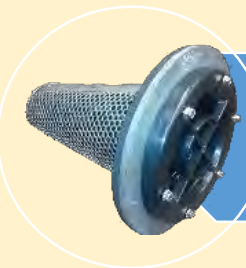
4" Diameter

Part#JF4PC

Powder Coated Black

Part#JF4SS

316 Stainless Steel



6" Diameter

Part#JF6PC

Powder Coated Black

Part#JF6SS

316 Stainless Steel

Open-End

Used to relieve hydrostatic water pressure in applications without risk of water reentry

Maintainable with the ability to remove and clean the filter media cartridge when needed to help ensure the life of the wall from movement and/or failure

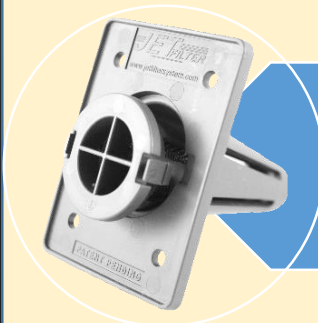


VINYL SHEET PILING

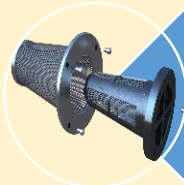


Recommended Dewatering Solutions

Extend the Life-Span of a Wall Design



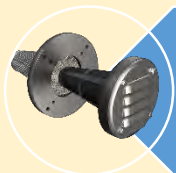
2.5" Diameter
Part #JF2.5ABS U/V Resistance



4" Diameter
Part#JF4PC Powder Coated Black
Part#JF4SS 316 Stainless Steel



4" Diameter w/Deflection Cap
Part #JF4PCCVDC Powder Coated Black
Part#JF4SSCVDC 316 Stainless Steel



4" Diameter w/Louvered Vent
Part#JF4PCCVLV Powder Coated Black
Part#JF4SSCVLV 316 Stainless Steel

Open-End
Used to relieve hydrostatic water pressure in applications without risk of water reentry

Maintainable with the ability to remove and clean the filter media cartridge when needed to help ensure the life of the wall from movement and/or failure

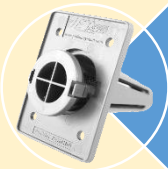
Closed-End
Backflow Preventer – One-Way Filter Check Valve
Maintainable like the Open-End units Deflection Cap or Louvered Vent
Let's ground water out and stops tidal wake/storm surge entering.

WOODEN BULKHEADS

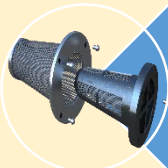


Recommended Dewatering Solutions

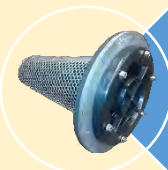
Extend the Life-Span of a Wall Design



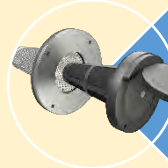
2.5" Diameter
Part #JF2.5ABS U/V Resistance



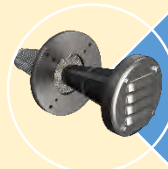
4" Diameter
Part#JF4PC Powder Coated Black
Part#JF4SS 316 Stainless Steel



6" Diameter
Part#JF6PC Powder Coated Black
Part#JF6SS 316 Stainless Steel



4" Diameter w/Deflection Cap
Part #JF4PCCVDC Powder Coated Black
Part#JF4SSCVDC 316 Stainless Steel



4" Diameter w/Louvered Vent
Part#JF4PCCVLV Powder Coated Black
Part#JF4SSCVLV 316 Stainless Steel

Open-End
Used to relieve hydrostatic water pressure in applications without risk of water reentry

Maintainable with the ability to remove and clean the filter media cartridge when needed to help ensure the life of the wall from movement and/or failure

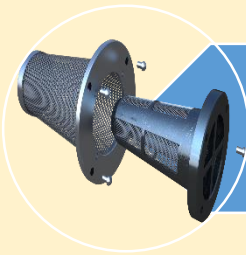
Closed-End
Backflow Preventer – One-Way Filter Check Valve
Maintainable like the Open-End units
Deflection Cap or Louvered Vent
Let's ground water out and stops tidal wake/storm surge entering.

RETAINING WALLS

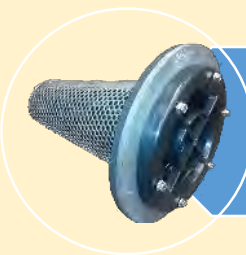


Recommended Dewatering Solutions

Extend the Life-Span of a Wall Design



4" Diameter	
Part#JF4PC	Powder Coated Black
Part#JF4SS	316 Stainless Steel



6" Diameter	
Part#JF6PC	Powder Coated Black
Part#JF6SS	316 Stainless Steel

Open-End

Used to relieve hydrostatic water pressure in applications without risk of water reentry

Maintainable with the ability to remove and clean the filter media cartridge when needed to help ensure the life of the wall from movement and/or failure

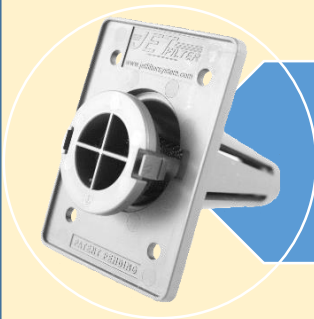


ALUMINUM SHEET PILING



Recommended Dewatering Solutions

Extend the Life-Span of a Wall Design



2.5" Diameter
Part #JF2.5ABS U/V Resistance

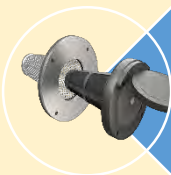
Open-End

Used to relieve hydrostatic water pressure in applications without risk of water reentry

Maintainable with the ability to remove and clean the filter media cartridge when needed to help ensure the life of the wall from movement and/or failure



4" Diameter
Part#JF4PC Powder Coated Black
Part#JF4SS 316 Stainless Steel

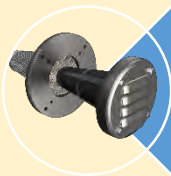


4" Diameter w/Deflection Cap
Part #JF4PCCVDC Powder Coated Black
Part#JF4SSCVDC 316 Stainless Steel

Closed-End

Backflow Preventer – One-Way Filter Check Valve

Maintainable like the Open-End units Deflection Cap or Louvered Vent
Let's ground water out and stops tidal wake/storm surge entering.



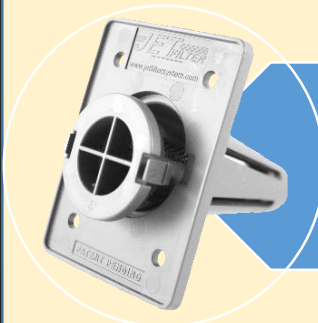
4" Diameter w/Louvered Vent
Part#JF4PCCVLV Powder Coated Black
Part#JF4SSCVLV 316 Stainless Steel

COMPOSITE SHEET PILING

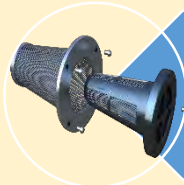


Recommended Dewatering Solutions

Extend the Life-Span of a Wall Design



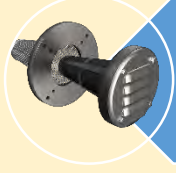
2.5" Diameter
Part #JF2.5ABS U/V Resistance



4" Diameter
Part#JF4PC Powder Coated Black
Part#JF4SS 316 Stainless Steel



4" Diameter w/Deflection Cap
Part #JF4PCCVDC Powder Coated Black
Part#JF4SSCVDC 316 Stainless Steel



4" Diameter w/Louvered Vent
Part#JF4PCCVLV Powder Coated Black
Part#JF4SSCVLV 316 Stainless Steel

Open-End
Used to relieve hydrostatic water pressure in applications without risk of water reentry

Maintainable with the ability to remove and clean the filter media cartridge when needed to help ensure the life of the wall from movement and/or failure

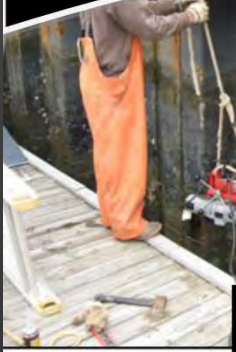
Closed-End
Backflow Preventer – One-Way Filter Check Valve
Maintainable like the Open-End units Deflection Cap or Louvered Vent
Let's ground water out and stops tidal wake/storm surge entering.

SEAWALL ISSUES

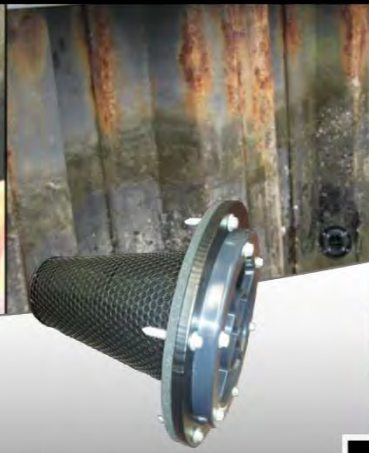
www.jetfiltersystem.com

Wrightsville Beach Marina
North Carolina

Protect Your Investment!



Earth Retaining Structures (ERS) are failing daily due to clogged or insufficient weep holes



Erosion Control & Filtration



800.475.2029
www.jetfiltersystem.com

United States Patent # 7,615,148

Wick drainage system used as a weep hole component for:
Seawalls • Bulkhead Walls • Retaining Walls • Bridge Abutments



FILTRATION

EROSION CONTROL

Our state-of-the-art facility teamed with MSI and D-M Manufacturing, JET Filter System, LLC can improve the products manufacture ability through the application of advanced technology and automation, by reducing cost.



precision



quality

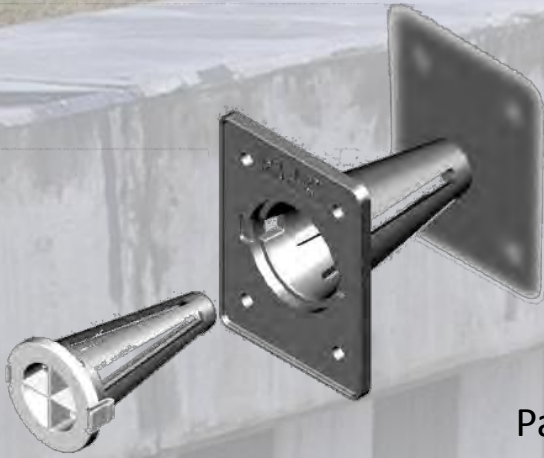


aspiration



facilitation

2.5" Diameter ABS Units



Part # JF2.5ABS



Cleanable Filter
Cartridge

Easy To Install

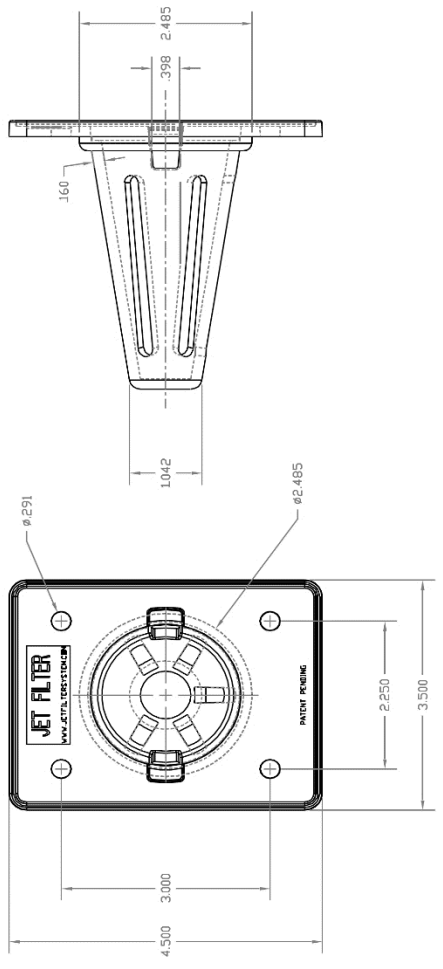


Available In 3
Colors Gray, Slate,
Clay or Brown

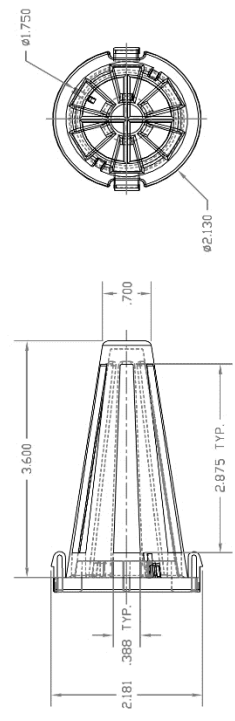
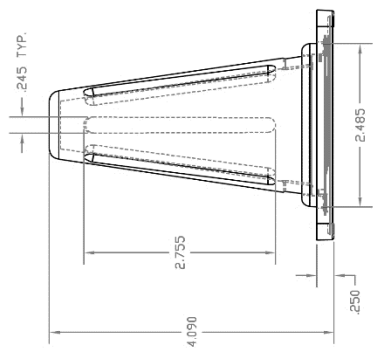


www.jetfiltersystem.com

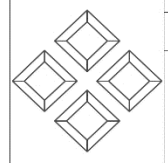
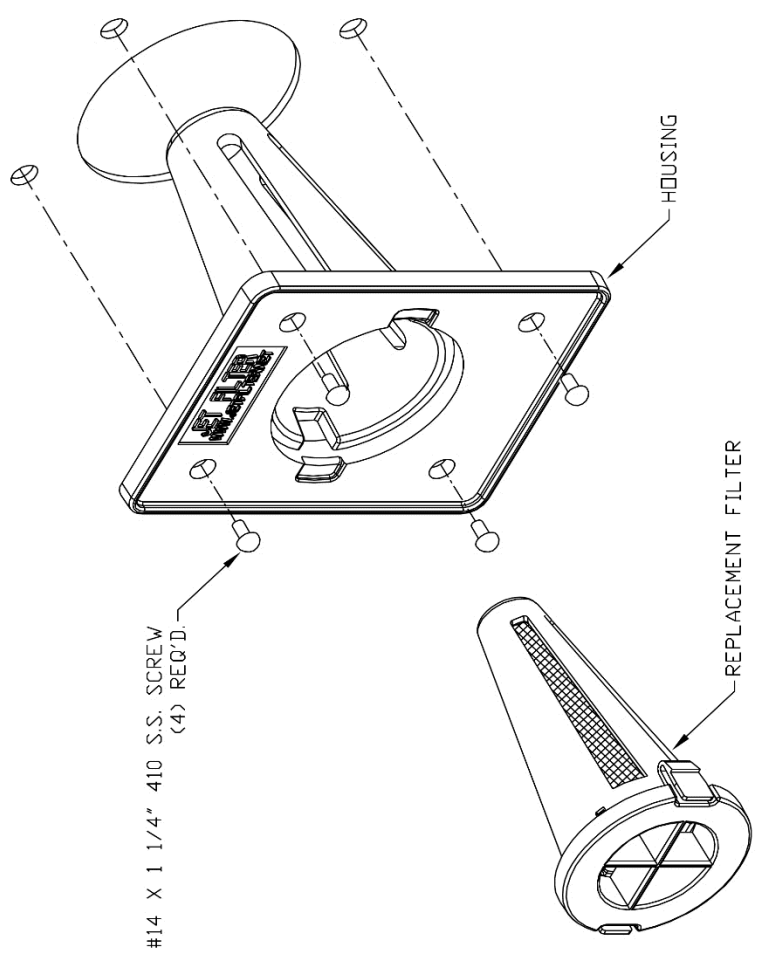
2.5" ABS U/V PROTECTED JET FILTER



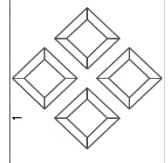
JET FILTER HOUSING



REPLACEMENT FILTER



JET FILTER SYSTEM LLC
 14 NORTH CENTRAL AVE
 CASEY, ILLINOIS 62420
 UNITED STATES
 PH: (800) 475-2029
 FAX: (800) 475-2136



DATE	REV	BY	CHKD	APP'D	DESCRIPTION
01/07	1
01/07	2
01/07	3
01/07	4
01/07	5
01/07	6
01/07	7
01/07	8
01/07	9
01/07	10
01/07	11
01/07	12
01/07	13
01/07	14
01/07	15
01/07	16
01/07	17
01/07	18
01/07	19
01/07	20
01/07	21
01/07	22
01/07	23
01/07	24
01/07	25
01/07	26
01/07	27
01/07	28
01/07	29
01/07	30
01/07	31
01/07	32
01/07	33
01/07	34
01/07	35
01/07	36
01/07	37
01/07	38
01/07	39
01/07	40
01/07	41
01/07	42
01/07	43
01/07	44
01/07	45
01/07	46
01/07	47
01/07	48
01/07	49
01/07	50
01/07	51
01/07	52
01/07	53
01/07	54
01/07	55
01/07	56
01/07	57
01/07	58
01/07	59
01/07	60
01/07	61
01/07	62
01/07	63
01/07	64
01/07	65
01/07	66
01/07	67
01/07	68
01/07	69
01/07	70
01/07	71
01/07	72
01/07	73
01/07	74
01/07	75
01/07	76
01/07	77
01/07	78
01/07	79
01/07	80
01/07	81
01/07	82
01/07	83
01/07	84
01/07	85
01/07	86
01/07	87
01/07	88
01/07	89
01/07	90
01/07	91
01/07	92
01/07	93
01/07	94
01/07	95
01/07	96
01/07	97
01/07	98
01/07	99
01/07	100

TITLE: JET FILTER
 SCALE: 1:1
 SHEET: 1 OF 1

PROPERTY AND CONFIDENTIAL
 THE INFORMATION CONTAINED IN THIS
 DRAWING IS THE SOLE PROPERTY OF
 JET FILTER SYSTEM LLC. ANY
 REPRODUCTION OR TRANSMISSION
 WITHOUT THE WRITTEN PERMISSION OF
 JET FILTER SYSTEM LLC IS PROHIBITED.

2.5" Diameter ASTM/316 SS

Part # JF2.5PC
Part # JF2.5SS



Cleanable
Filter Cartridge

Easy To Install

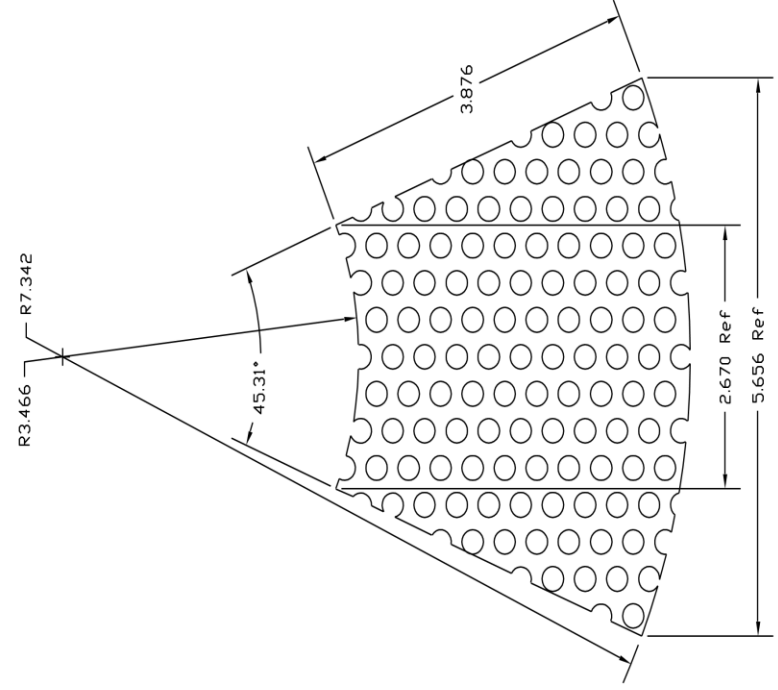
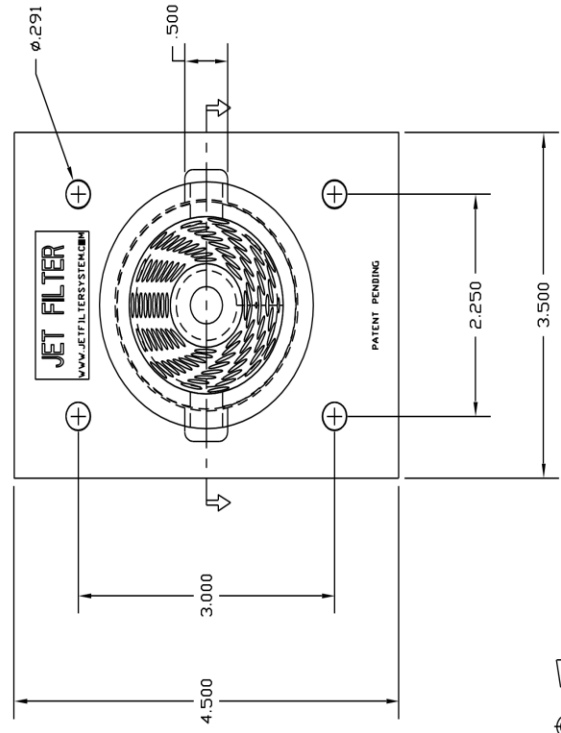
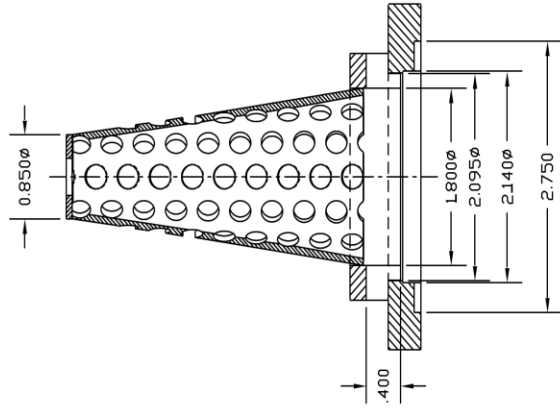
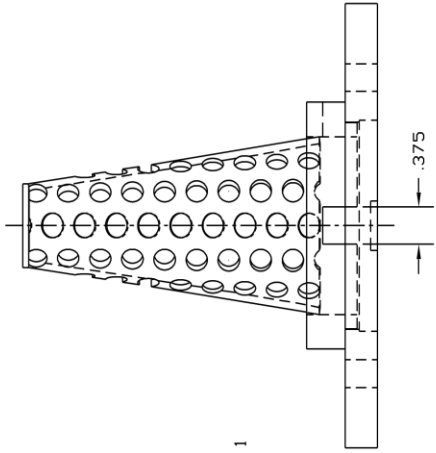
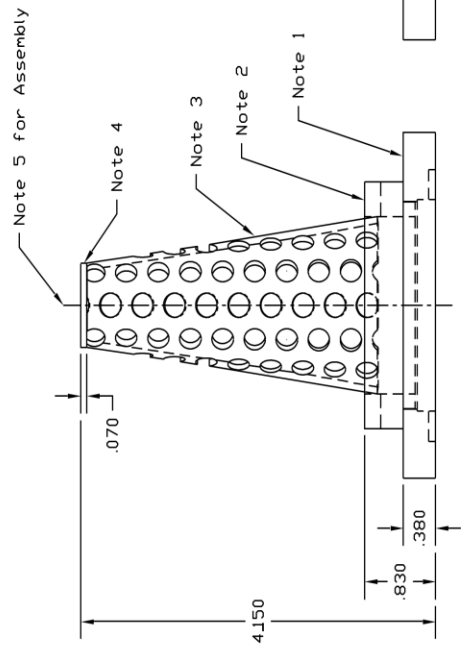


Weldability



www.jetfiltersystem.com

- Note 1 : Face Plate : ASTM A-36 HRS / 316 stainless steel
- Note 2 : Ring Plate : ASTM A-36 HRS
- Note 3 : Cage : 16 Ga. SS Perf. .250" x .312
- Note 4 : Cage Cap : 16 Ga. SS Washer
- Note 5 : Powder coat assembly Black or equivalent



JET FILTER SYSTEM LLC
 14 NORTH CENTRAL AVE PH: (800) 475-2029
 CASEY, ILLINOIS 62420 FAX: (800) 475-2136
 UNITED STATES

TOLERANCES UNLESS OTHERWISE SPECIFIED		Steel Filter Housing	
2 PLACE	3 PLACE	4 PLACE	ANGLES
±.005	±.001	±.0005	±.1°
DEVIATIONS FROM INTENDED SHAPE (FLATNESS, ROUNDNESS, SQUARENESS, ETC.) MUST BE WITHIN STATED DIMENSIONAL TOLERANCES			

Jet Filter		Steel Filter Housing	
TOOL DESCRIPTION	PAGE DESCRIPTION	SHRINKAGE	SCALE
			1=1
	See Notes	CHECKED BY	REV. A
	ADK	DAVID	PAGE
		OF	DWG NO.
		SHEET	
		DATE	11-30-10
		DETAIL NO.	

THIRD ANGLE PROJECTION
 BREAK ALL UNNECESSARY SHARP EDGES

2.5" ASTM A-36 / 316 SS JET FILTER

4" Diameter ASTM/316 SS

Part # JF4PC
Part # JF4SS



Cleanable
Filter Cartridge

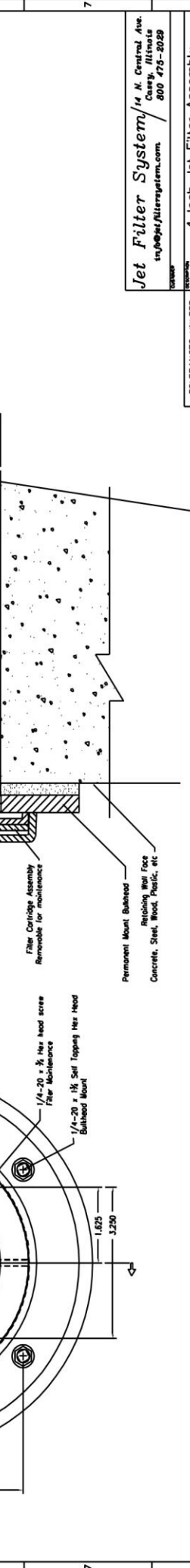
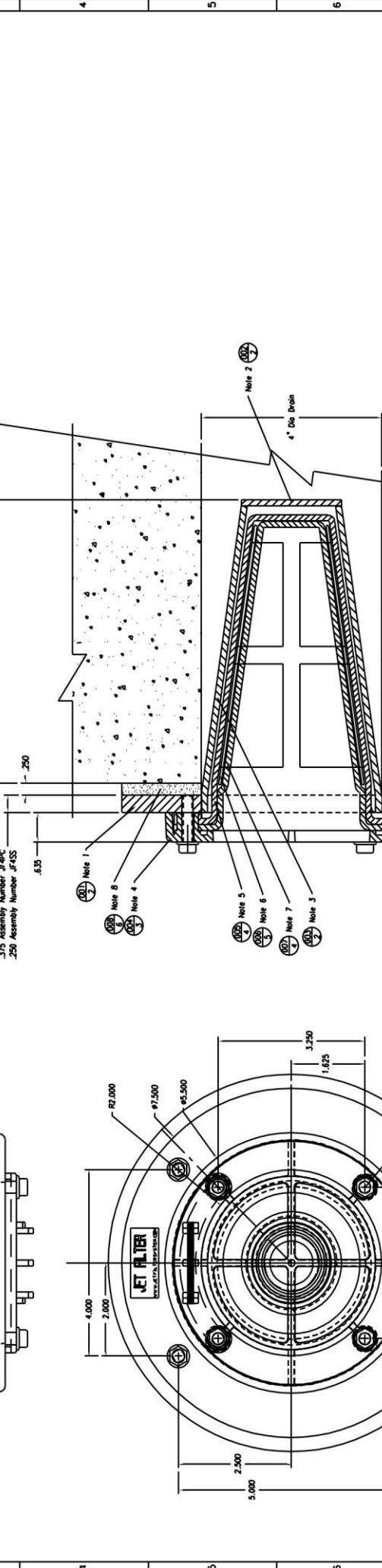
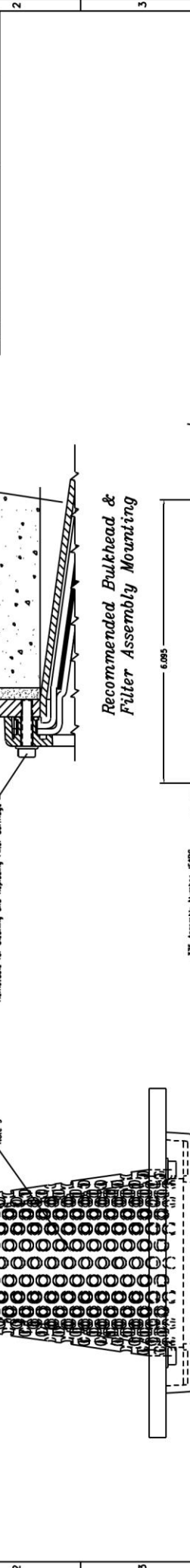
Easy To Install



Erosion
Control

www.jetfiltersystem.com

Rev	Date	Description	NOTE	Item/Qty	Notes	Product Number
A	1/23/11	Release for Production				JF4PC
B	5/26/12	Rev Cartridge for Injection Molding				JF4SS
			1	001/7	Bulkhead Plate Assembly	ASTM A36 Powder Coated BR
			2	002/7	Filter Cartridge	316 Stainless Steel
			3	003/7	Bulkhead Nut Cap Washer	
			4	004/7	Bulkhead Nut Cap	
			5	005/7	Filter Cartridge Assembly	UV Protected ABS
			6	006/7	Standard 1/4" NPT Cap	
			7	007/7	Outer Cartridge Core	
			8	008/7	Inner Filter Media	
			9	009/7	Inner Cartridge Core	
			10	010/7	Bulkhead Nut Cap Seal	
			11			
			12			



Item	Quantity	Description	Material	Notes
1	1	Permanent Mount Bulkhead	ASTM A36 Powder Coated BR	
2	1	Filter Cartridge Assembly	UV Protected ABS	
3	1	Bulkhead Nut Cap Washer		
4	1	Bulkhead Nut Cap		
5	1	Filter Cartridge Assembly	UV Protected ABS	
6	1	Standard 1/4" NPT Cap		
7	1	Outer Cartridge Core		
8	1	Inner Filter Media		
9	1	Inner Cartridge Core		
10	1	Bulkhead Nut Cap Seal		

Product Number: JF4PC / JF4SS

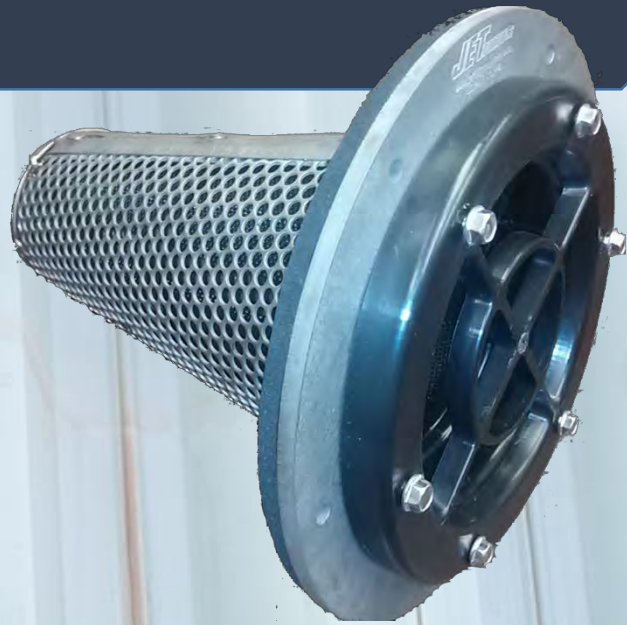
Jet Filter System / 14 N Central Ave
Crest Hill, Illinois
800 479-3029

Scale: 1/4" = 1"

Notes: 1. ALL DIMENSIONS UNLESS OTHERWISE SPECIFIED. 2. PLACE 3 PLACES FROM FACE. 3. PLACE 1 PLACE FROM FACE. 4. PLACE 1 PLACE FROM FACE. 5. PLACE 1 PLACE FROM FACE. 6. PLACE 1 PLACE FROM FACE. 7. PLACE 1 PLACE FROM FACE. 8. PLACE 1 PLACE FROM FACE. 9. PLACE 1 PLACE FROM FACE. 10. PLACE 1 PLACE FROM FACE. 11. PLACE 1 PLACE FROM FACE. 12. PLACE 1 PLACE FROM FACE.

4" ASTM A-36 / 316 SS JET FILTER

6" Diameter ASTM/316 SS



Part # JF6PC
Part # JF6SS



Cleanable
Filter Cartridge

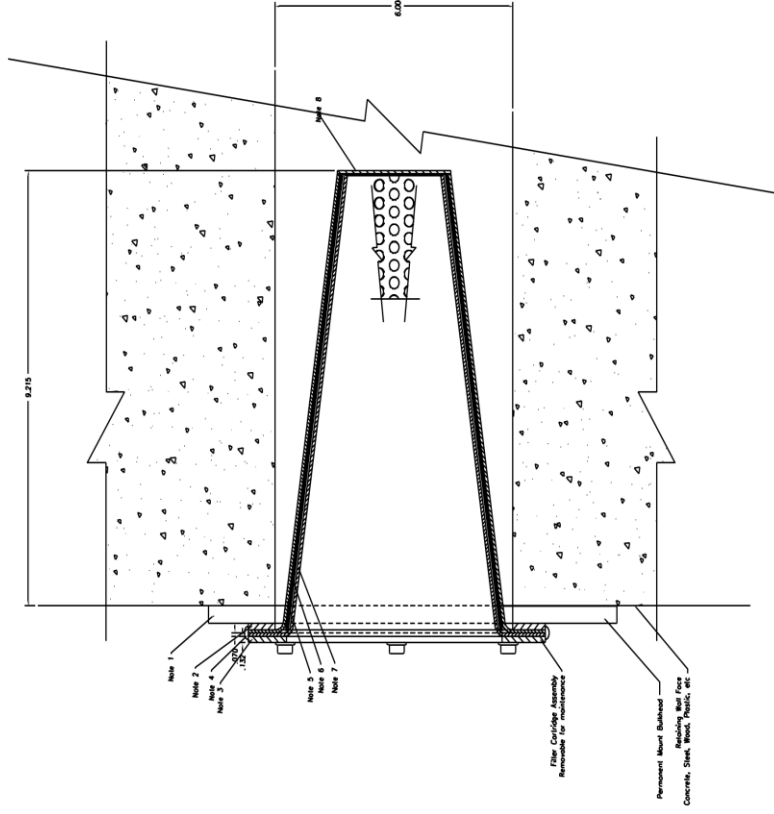
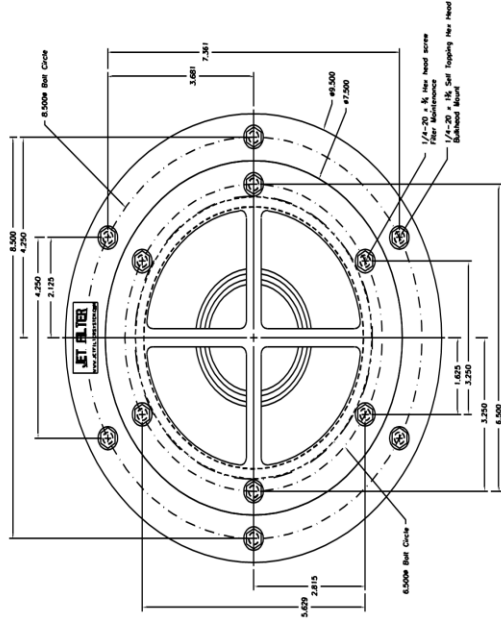
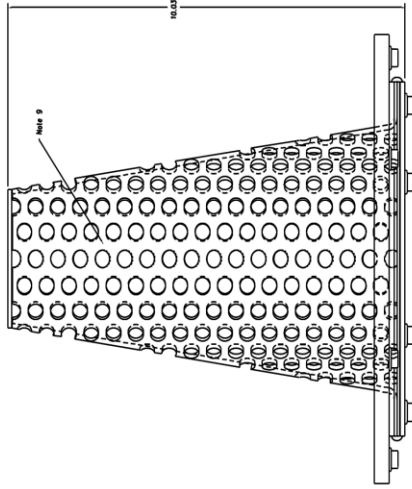
Easy To Install



Maximize
Drainage

www.jetfiltersystem.com

M	10/25/11	Revised for Production
N		
O		
P		



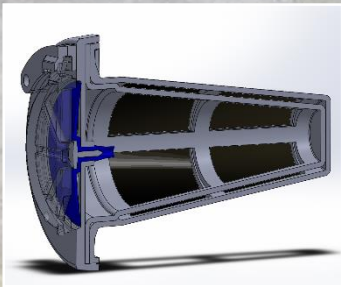
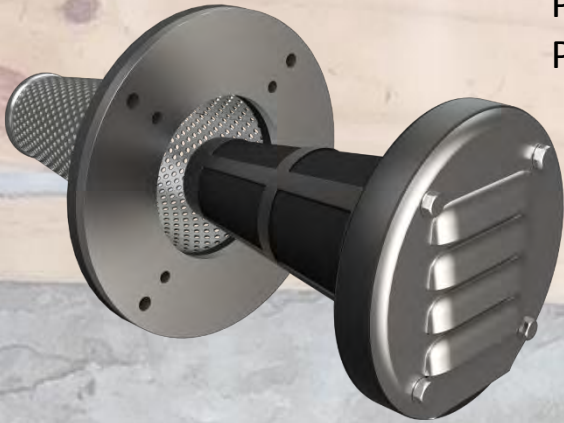
TOLERANCES UNLESS OTHERWISE SPECIFIED	
FRACTIONS	DECIMALS
1/16	0.0031
1/32	0.0015
3/16	0.0048
1/2	0.0075
3/4	0.0112
1	0.0150
1 1/2	0.0225
2	0.0300
3	0.0450
4	0.0600
5	0.0750
6	0.0900
7	0.1050
8	0.1200
9	0.1350
10	0.1500
11	0.1650
12	0.1800

6" ASTM A-36 / 316 SS JET FILTER

4" Diameter ASTM/316 SS Backflow Preventer

Part # JF4PCCVDC

Part # JF4SSCVLV



Cleanable Filter
Cartridge

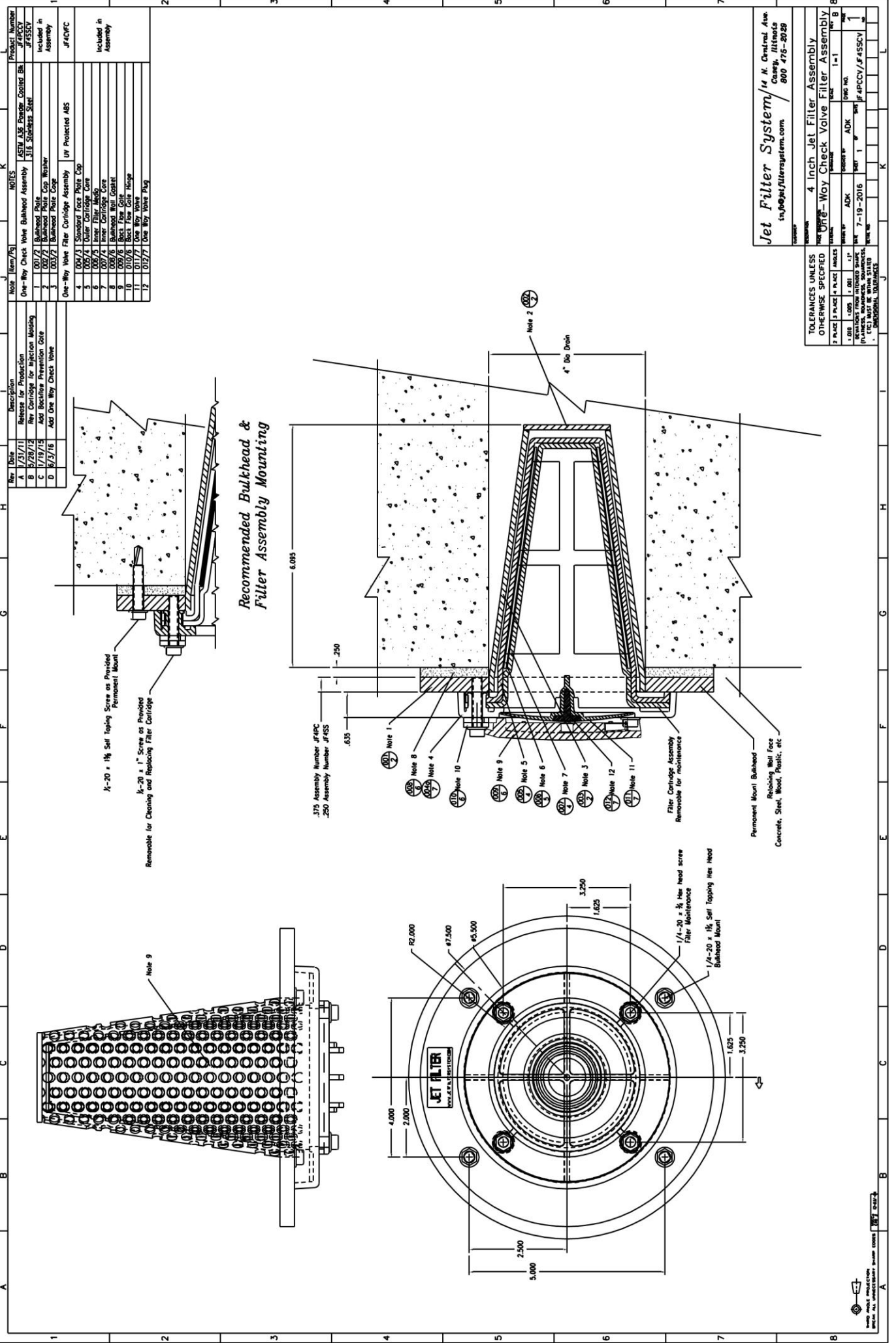
Louvered Vent



One-Way
Backflow Preventer



4" 316 SS BACKFLOW PREVENTER



Recommended Bulkhead & Filter Assembly Mounting

K-20 x 1/4 Self Tapping Screws as Provided
Permanent Mount

K-20 x 1" Screws as Provided
Removable for Cleaning and Replacing Filter Cartridge

Rev	Date	Description
A	1/31/11	Release for Production
B	5/28/12	Rev Cartridge for Injection Molding
C	1/19/15	Add Backflow Prevention Gate
D	6/2/16	Add One Way Check Valve

Rev	Item/No	Notes
1	001/1	Over-Way Check Valve Bulkhead Assembly
2	002/1	Bulkhead Flange
3	003/1	Bulkhead Flange Gasket
4	004/1	Over-Way Valve Filter Cartridge Assembly
5	005/1	Over-Way Valve Filter Cartridge
6	006/1	Over-Way Valve Filter Cartridge
7	007/1	Over-Way Valve Filter Cartridge
8	008/1	Over-Way Valve Filter Cartridge
9	009/1	Over-Way Valve Filter Cartridge
10	010/1	Over-Way Valve Filter Cartridge
11	011/1	Over-Way Valve Filter Cartridge
12	012/1	Over-Way Valve Filter Cartridge

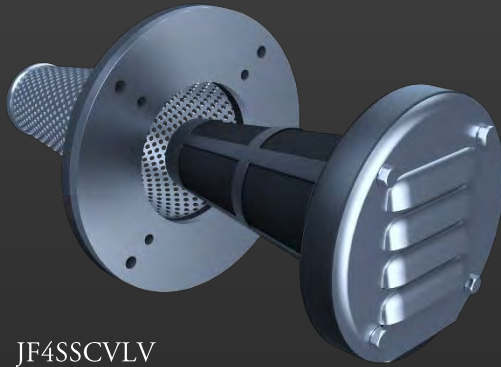
Jet Filter System
14 N. Central Ave.
Casper, Illinois
800 475-8029
info@jetfiltersystem.com

TOLERANCES UNLESS OTHERWISE SPECIFIED	FINISH	UNIT
FRACTIONS	AS SHOWN	INCHES
DECIMALS	AS SHOWN	INCHES
ANGLES	AS SHOWN	DEGREES

MANUFACTURED BY
JET FILTER SYSTEM
CASPERSVILLE, IL

BACKFLOW PREVENTER

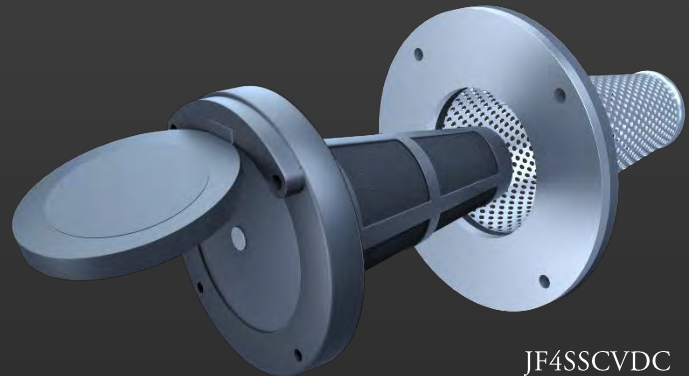
Louvered Vent



JF4SSCVLV

EROSION CONTROL with CLEANABLE, REPLACEABLE Geotextile filter media cartridge

Deflection Cap



JF4SSCVDC

FILTER with ONE-WAY CHECK VALVE
Relieve hydrostatic water pressure without allowing water back in

4" dia. SS Weep Hole Component

Extend the Life-Span of a Wall Design

US PAT# 7,615,148

Dewatering Solutions for Earth Retaining Structures

Made in the USA

- Steel Sheet Piling
- Bridge Abutments
- Concrete Seawalls
- Vinyl Sheet Piling
- MSE Retaining Walls
- Flood Control Channels



FACT SHEET



Geotextile Filtration and Erosion Control
 www.JETFilterSystem.com
 800-475-2029

BACKFLOW PREVENTER ONE-WAY FILTER CHECK VALVE

Type	Closed-End
Dia.	4" Diameter
Housing	ASTM A-36 Hot Rolled Steel 316 Stainless Steel or Powder Coated Black
Filter Media	Mirafi® Filterweave 300 FW Series Woven Geotextile
Cartridge/Cap	Flame Retardant Polycarbonate/Acrylonitrile/Butadiene Styrene UV Resistance
Cage	Perforated 1/4" opening 5/16" Staggered 16ga
Check Valve	Themoplastic Vulcanicate Sarlink® TPV 5700B
Inspection Certificate	USA
Anchor	Supplied (4) Thread-Forming Structural 300 Series SS Fasteners Corrosion Resistance
Requirement	4" Diameter Weep Hole Core Opening

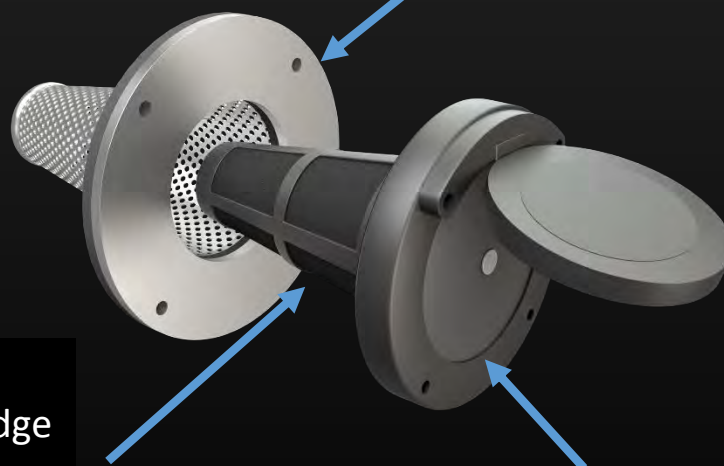
Wave & Overtopping - Tidal Flooding Concerns

Protect Our Coastal Infrastructure

- Seawalls
- Outlet Structures
- Flood Control Structures

Weep Hole Component Relieves The Hydrostatic and Hydrodynamic Water Pressures

Permanent Mounted SS Housing



Cleanable, Replaceable Geotextile Filter Media Cartridge Stops Erosion

ONE-WAY Check Valve Lets Ground Water Out Stops Tidal Wake/Storm Surge Entering



DEWATERING FILTER

Managed weep hole system that is vital to the marine, bridge & rail infrastructure today.



“In no event shall our company be liable for any direct, indirect, punitive, incidental, special consequential damages, to property or life, whatsoever arising out of or connected with the use or misuse of our products.”

Disclaimer: Jet Filter System, LLC assumes no liability for the accuracy or completeness of this information or for the ultimate use / installation by the purchaser. Jet Filter System disclaims any and all express, implied, or statutory standards, warranties or guarantees, including without limitation any implied warranty as to merchantability or fitness for a particular purpose or arising from a course of dealing or usage of trade as to any equipment, materials, or information furnished herewith. This document should not be construed as engineering or construction advice.

JET Filter System LLC

14 N Central Ave
Post Office Box 31
Casey, Illinois 62420

Phone: (800) 475-2029
Fax: (800) 475-2136
E-mail: info@jetfiltersystem.com
Web: www.jetfiltersystem.com